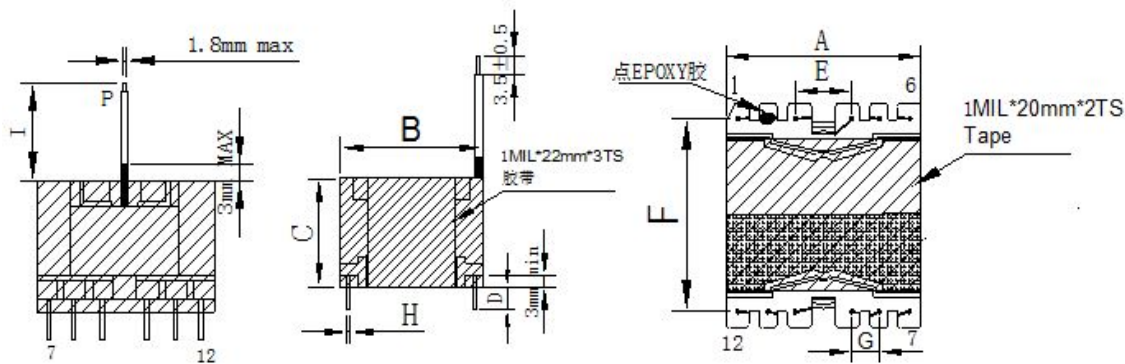


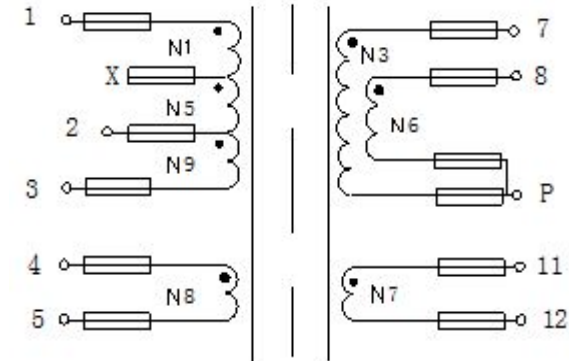
CUSTOMER TERMINAL	ROHS	Lead(Pb)-free
	YES	YES

## 1. Mechanical Dimensions



A	35.0	MAX
B	35.0	MAX
C	23.5	MAX
D	3.5	±0.5
E	7.5	±0.3
F	30.0	±0.4
G	5.0	±0.3
H	0.80	±0.1
I	45.0	±2.0

## 2. Schematic Diagram



## 3. Material List

Core:FW44 PQ3220  
 Bobbin:FWB3201-1(6+6PIN)  
 Wire:2UEW TIW  
 Copper foil:0.025t\*8.0mm  
 Operating Temperature: -30 to115 °C

## 4. Electrical Specification

Inductance : L(1-3):0.8mH±5% 40KHZ , 1.0V  
 Leakage Inductance : 10uH MAX 40KHZ , 1.0V  
 DCR : (1-3)=0.65Ω MAX (7-P)=0.07Ω MAX  
 Hi-Pot:P-S: AC 60Hz 4000V 2mA 3S  
 S-CORE: AC 60Hz 4000V 2mA 3S

REV.	DATE	 Convention Placement	DRW.	Drawing Title: <b>TRANSFORMER</b>	Part No:
0	00/00		CHK.		FWPTPQ3220V801J-1
			APP.		Customer P/N
<b>ROHS</b>		<a href="http://www.ferriwo.com">www.ferriwo.com</a>			